

Features

This controller adopt the widely used 433MHz wireless technology with the features of low power consumption, long signal transmitting and strong anti-interference, etc. Widely used on the controlling of hotel lighting and home lighting.



RGB
Color changing



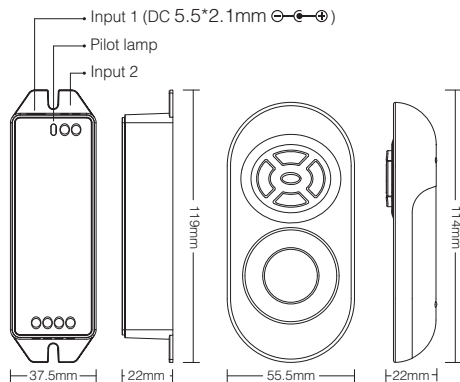
433MHz RF wireless
transmission technology



Dimmable
control



Remote control
Control distance 30m



RGB LED Strip Controller (433MHz)

Model No.: FUT042

Parameters

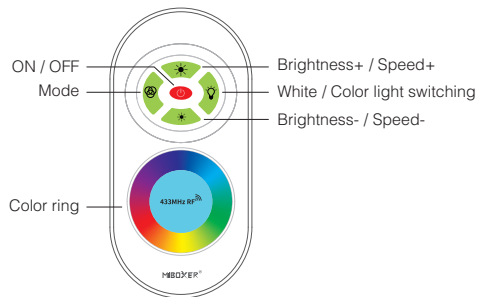
Remote Control

Working Voltage: 3V(2*AAA Battery) Transmitting Power: <10mW
Working Temp.: -20~60°C Modulation Method: ASK
RF: 433MHz Control Distance: 30m
Standby Power: 20uA

Strip Controller

Input Voltage: DC12V~24V RF: 433MHz
Output: 6A/Channel Control Distance: 30m
Total Output: Max 12A Output Connection: Common anode
Working Temp.: -20~60°C

Products Key Diagram



Touch the color ring to change colors



Turn on or off the linked lighting device



Dynamic mode switching button
(See the dynamic mode sheet)



Switch button for color light and white light.
Note: If you want to change color under white light mode, you need to switch to color light mode.



Under color light and white light, brightness +
Under dynamic mode, See the dynamic mode sheet

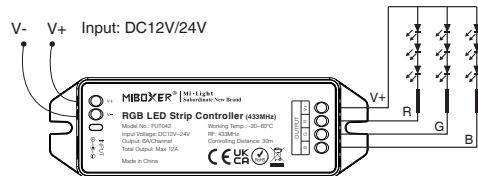


Under color light and white light mode, brightness -
Under dynamic mode, See the dynamic mode sheet

Connect diagram

Pilot lamp instruction:

Always lighting means working normally; Flash means receiving remote signal.



Note

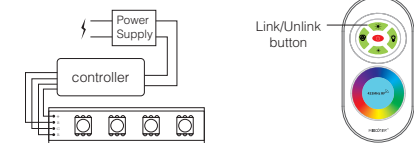
Factory setting is one remote control one receiver. Users can group it as per the need. One remote can control countless receivers, but one receiver just can be controlled by max 4 remotes.

Dynamic Mode Sheet

Press and adjust brightness and speed.

| Number | Dynamic Mode | Brightness | Speed |
|--------|----------------------------------|------------|------------|
| 1 | Change color automatically | Adjustable | — |
| 2 | Three color jump to change | — | Adjustable |
| 3 | Seven color jump to change | | |
| 4 | Three color gradual change | | |
| 5 | Seven color gradual change | Adjustable | — |
| 6 | Red jumps to change | | |
| 7 | Blue jumps to change | | |
| 8 | Purple jumps to change | | |
| 9 | Green jumps to change | | |
| 10 | Yellow jumps to change | | |
| 11 | Cyan jump to change | | |
| 12 | White jump to change | — | Adjustable |
| 13 | Red and blue flash alternately | | |
| 14 | Blue and green flash alternately | | |
| 15 | Red and green flash alternately | | |

Linking the controller



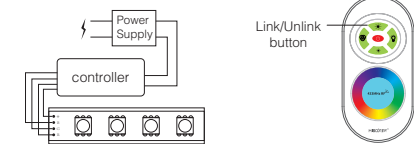
Switch off the light, after 10 seconds switch on again.

When the light on, short press " "**1 time**" within 3 seconds.

The light blink 3 times slowly means the linking is done successfully.

If the light not blink slowly, the linking failed, Pls switch off the light again, and follow the above steps again.

Unlinking the controller



Switch off the light, after 10 seconds switch on again.

When the light on, short press " "**5 times**" within 3 seconds.

The light blinking 6 times quickly, means the unlinking successfully.

If the light not blink quickly, the unlink failed, pls switch off the light again, and follow the above steps to unlink again.

Attention

1. Please check whether the input voltage of the constant voltage power supply is in accordance with the controller, and please check the connection of both the cathode and anode, otherwise the controller will be damage.
2. Please don't connect wires with power on. Please turn on again only when it is in right connection and no short circuit.
3. Non-professional user cannot dismantle the controller directly, otherwise it may damage the controller.
4. Please do not use the controller in the place with widely range metal area or strong electromagnetic wave nearby, otherwise, the remote distance will be seriously affected.



Made in China