

1. Features

This item supports zigbee 3.0 standard protocol with low consumption, strong ability to pair with network automatically and resist interference. User can use zigbee wireless remote to dim light. It supports to pair with zigbee gateway and enjoy the function (wireless dimmable, remote control, timer, group control and music rhythm)

-  16 Millions of colors to choose
-  Color temperature 2700K~6500K
-  Dim brightness/ Saturation
-  Product follow Zigbee 3.0 standard protocol
-  Zigbee 3.0 remote control Control distance 100m (open area)
-  Smartphone App control (Zigbee 3.0 gateway is needed)
-  Support third party voice control (Zigbee 3.0 gateway is needed)
-  Waterproof and dustproof grade IP66

RGB+CCT LED Garden Light (Zigbee 3.0)

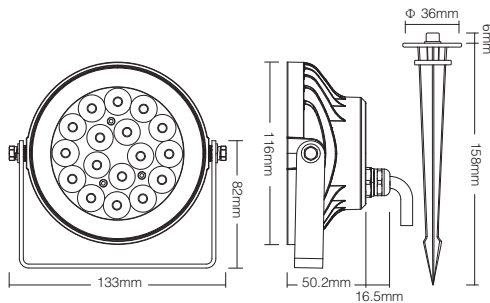
Model No.: FUTC02Z / FUTC04Z

2. Parameters

9W RGB+CCT LED Garden Light (Zigbee 3.0)

Model No.: FUTC02Z

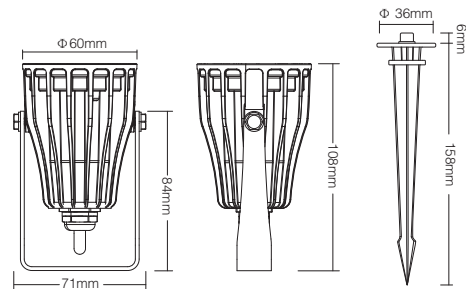
Input: 100-240V~ 50/60Hz	CRI: >80
Power: 9W	PF: >0.5
Working Temp.: -20~45°C	Beam Angle: 15°
Color Temp.: 2700K~6500K	Illumination Distance: >10m
Luminous Flux: 900LM	Lifespan: 50000 hours
Light Efficiency: 100LM/W	IP Rate: IP66
Control Distance: 100m (open area)	



6W RGB+CCT LED Garden Light (Zigbee 3.0)

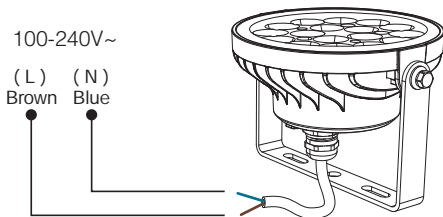
Model No.: FUTC04Z

Input: 100-240V~ 50/60Hz	CRI: >80
Power: 6W	PF: >0.5
Working Temp.: -20~45°C	Beam Angle: 25°
Color Temp.: 2700K~6500K	Illumination Distance: >10m
Luminous Flux: 550LM	Lifespan: 50000 hours
Light Efficiency: 90LM/W	IP Rate: IP66
Control Distance: 100m (open area)	

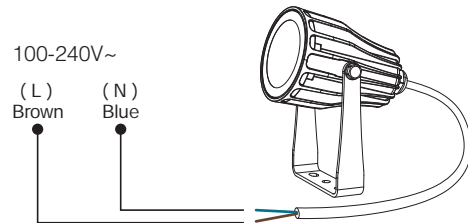


3. Connection diagram

FUTC02Z Connection diagram



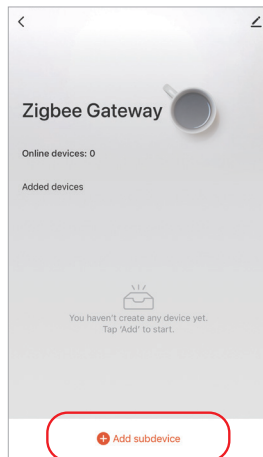
FUTC04Z Connection diagram



4. How to control the light via phone App?

Please add zigbee 3.0 gateway to [MiBoxer Smart] App firstly

- (1). Connect with power supply.
- (2). Turn on/off light continuously over 3 times , confirm the light with red color in breathe ambience.
- (3). Open [**MiBoxer Smart**] App and add sub-device (see following screenshot).
- (4). You can dim light,group control and ambience control after adding device completely.



5. Match and Dismatch with zigbee 3.0 remote

stay closer distance between the light and remote

Remote	Light
The remote doesn't pair with zigbee gateway	Support match and dismatch light
The remote paired with zigbee gateway	Only support match and dismatch light which connected with same gateway

Instruction of Matching

- (1). Connect with power supply.
- (2). Ensure the light is always on (please wait 5 seconds and turn off, turn on again 1 time if the light is in red color with breathe ambience).
- (3). Long press group control " | " button with 3 seconds until the indicator of remote flash slowly (check details in remote instruction).
- (4). Please keep closer for remote and the light which you want to connect (within 1 meter).
- (5). Matching is done if the light breathe 3 times.

Instruction of Dismatching

- (1). Connect with power supply.
- (2). Ensure the light is always on.
- (3). Long press group control " O " button with 3 seconds until the indicator of remote flash quickly (check details in remote instruction).
- (4). Please keep closer for remote and the light which you want to connect (within 1 meter).
- (5). Dismatching is done if the light breathe 3 times.

Please repeat above steps if you are failed

⚠ Attention

1. Remote only match or dismatch with one light in one time, it will match or dismatch with the nearest light.
2. **Remote doesn't pair with gateway:** one light is only controlled by one remote.
3. **Light doesn't pair with gateway:** it can not be controlled by remote which already paired with gateway.
4. **If remote and light both connected with gateway:** one light can be controlled by many remotes.

6. Warning

- (1). When install the lighting fixtures, pls switch off the power to make sure the safty.
- (2). Please check whether the input voltage supply is in accordance with the lighting fixtures.
- (3). Non-professional user cannot dismantle the lighting fixtures directly, otherwise it may damage the lighting fixtures.
- (4). Please do not use lighting fixtures around the mental area and high magnetic field, otherwise, it will badly affect the control distance.
- (5). Users must be correct, strict and solid to install the lighting fixtures; do not use the lighting fixtures on strenuous vibration area.
- (6). The lighting fixtures will be heating on working, pls do not cover the lighting housing.



Made in China