

RGB+CCT LED Garden Light (LoRa 433MHz)

Model No.: FUTC05L / FUTC06L / FUTC07L

Features

Use LoRa SPSP modem technology, fulfill super long distance signal transmitting, 433MHz RF remote or 433MHz gateway controllable, 16 millions colors, CCT, brightness and saturation controllable.



16 millions of colors to choose



Super long distance 433MHz remote controller control



Color temperature 2700~6500K



Smart phone APP control (433MHz Gateway is needed)



Dimmable Saturation control



Support third party voice control (433MHz gateway is needed)



433MHz RF wireless transmission technology

Dynamic Mode Sheet

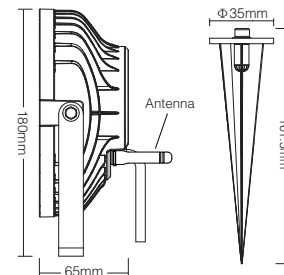
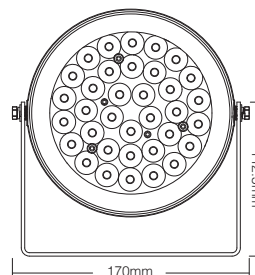
Number	Dynamic Mode	Brightness & Speed
1	Mardi gras	Adjustable
2	Automatic color change	
3	Sam	
4	Gemstone	
5	Twilight	
6	American	
7	Fat tuesday	
8	Party	
9	Slow color splash	

Parameters

25W RGB+CCT LED Garden Light (LoRa 433MHz)

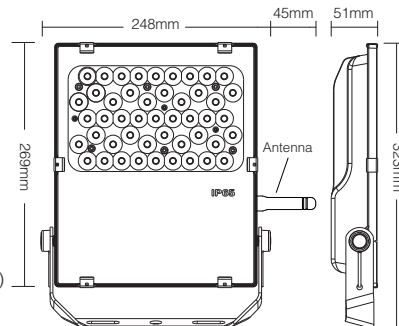
Model No.: FUTC05L
Input Voltage: AC100~240V 50/60Hz
Power: 25W
Working Temp.: -20~60°C
Color Temp.: 2700~6500K
Luminous Flux: 2100LM
Light Efficiency: 85LM/W
CRI: >80

PF: >0.5
Lifespan: 50000 hours
Illumination Distance: >15m
Beam Angle: 15°
IP Rate: IP66
RF: 433MHz (LoRa spread spectrum)
Control Distance: 2000m
Product Weight: 880g



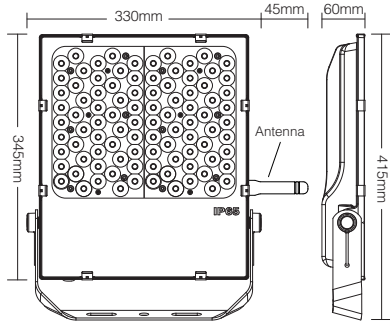
50W RGB+CCT LED Garden Light (LoRa 433MHz)

Model No.: FUTC06L
Input Voltage: AC100~240V 50/60Hz
Power: 50W
Working Temp.: -20~60°C
Color Temp.: 2700~6500K
Luminous Flux: 4000LM
Light Efficiency: 80LM/W
CRI: >80 PF: >0.9
Lifespan: 50000 hours
Illumination Distance: >15m
Beam Angle: 25°
IP Rate: IP65
RF: 433MHz (LoRa spread spectrum)
Control Distance: 2000m
Product Weight: 2.07kg



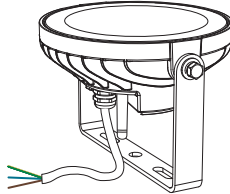
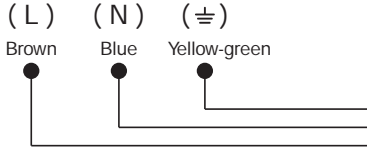
100W RGB+CCT LED Garden Light (LoRa 433MHz)

Model No.: FUTC07L
 Input Voltage: AC100~240V 50/60Hz
 Power: 100W
 Working Temp.: -20~60°C
 Color Temp.: 2700~6500K
 Luminous Flux: 7500LM
 Light Efficiency: 75LM/W
 CRI: >80 PF: >0.9
 Lifespan: 50000 hours
 Illumination Distance: >15m
 Beam Angle: 25°
 IP Rate: IP65
 RF: 433MHz (LoRa spread spectrum)
 Control Distance: 2000m
 Product Weight: 4.73kg



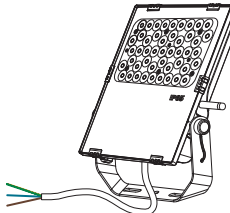
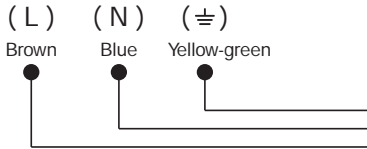
FUTC05L Connection Diagram

Input Voltage: AC100~240V 50/60Hz



FUTC06L / FUTC07L Connection Diagram

Input Voltage: AC100~240V 50/60Hz



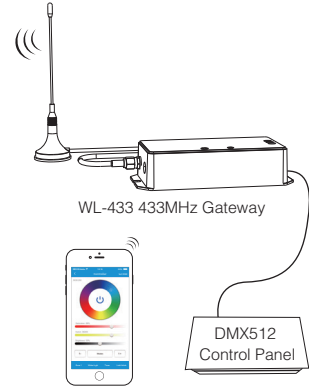
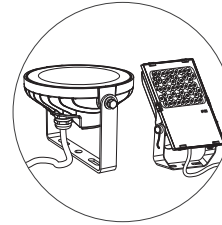
Link/Unlink

Compatible with "FUT086 remote" and "WL-433 433MHz gateway" (Purchased separately)

⚠ Lighting can be working after linking with remote; for more details, pls read the remote instruction.



FUT086 LoRa 433MHz RF Remote



Attention

1. When install the lighting fixtures, pls switch off the power to make sure the safty.
2. Please check whether the input voltage supply is in accordance with the lighting fixtures, and please check the connection of both the cathode and anode.
3. The working power is high voltage alternating current, so it must be far away from people and must with ground connection.
4. Non-professional user cannot dismantle the lighting fixtures directly, otherwise, it may cause fire and electric shock.
5. Please do not use lighting fixtures around the mental area and high magnetic field, otherwise, it will badly affect the control distance.
6. The lighting fixtures will be heating on working, pls do not cover the lighting housing.



Made in China