

MiBOXER[®] | **Mi·Light**
Subordinate New Brand

6W RGB+CCT LED Garden Light (DC24V)

Model No.: FUTC08

Features



RGB+CCT

16 Millions of colors to choose



Color temperature

2700K~6500K



Dim brightness/

Saturation



2.4G RF wireless transmission
technology



Remote control

Control distance 30m



Smartphone APP control

(2.4GHz gateway is needed)



Support third party voice control

(2.4GHz gateway is needed)



Waterproof and dustproof
grade IP66



Signal transmitting &

Modes synchronization



Beam angle 25°

Illumination distance more than 10m

Parameters

Model No.: FUTC08

Input: DC24V

Power: 6W

Working Temp.: -20~45°C

Color Temp.: 2700K~6500K

Luminous Flux: 550LM

Light Efficiency: 90LM/W

CRI: >80

Lifespan: 50000 hours

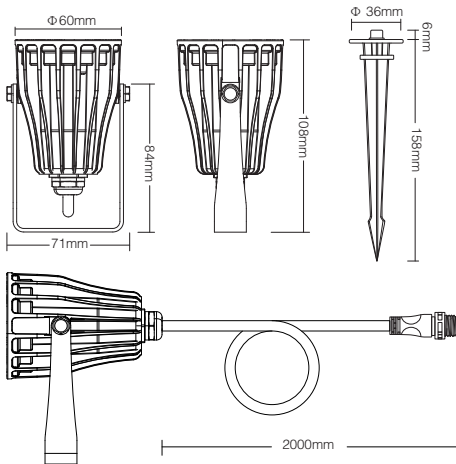
Beam Angle: 25°

Illumination Distance: >10m

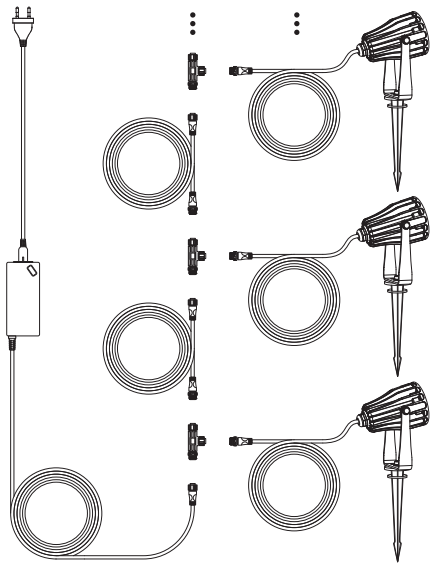
IP Rate: IP66

RF: 2.4GHz

Control Distance: 30m



Connection Diagram



Link/Unlink

Compatible with these remote controls
(Purchased separately)



FUT089



FUT088



FUT092



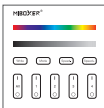
FUT096



B8



B0



B3 / T3



B4 / T4



WL-Box1

NOTE:

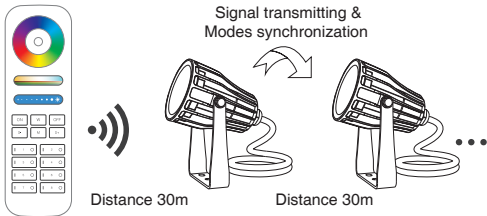
Lighting can be working after linking with remote;
for more details, pls read the remote instruction.

Signal transmitting

One garden light can transmit the signals from the remote control to another garden light within 30m, as long as there is a garden light within 30m, the remote control distance can be limitless.

Modes synchronization

Different garden light can work synchronously when they are started at different times, controlled by the same remote, under same dynamic mode and within 30m distance.



Dynamic Mode Sheet




Number	Dynamic Mode	Brightness / Saturation / Speed
1	Mardi Gras	Adjustable
2	Automatic color change	
3	Sam	
4	Gemstone	
5	Twilight	
6	American	
7	Fat Tuesday	
8	Party	
9	Slow Color Splash	

Attention

1. When install the lighting fixtures, pls switch off the power to make sure the safty.
2. Please check whether the input voltage supply is in accordance with the lighting fixtures.
3. Non-professional user cannot dismantle the lighting fixtures directly, otherwise it may damage the lighting fixtures.
4. Please do not use lighting fixtures around the mental area and high magnetic field, otherwise, it will badly affect the control distance.

- Users must be correct, strict and solid to install the lighting fixtures; do not use the lighting fixtures on strenuous vibration area.
- The lighting fixtures will be heating on working, pls do not cover the lighting housing.

Packing list

Name	 <p>6W RGB+CCT LED garden light</p>	 <p>Anti corrosion garden spike</p>	 <p>Manual</p>
Quantity	1 PC	1 PC	1 PC



Made in China